

LIMITED WARRANTY

COMPANY NAME: _____

COMPANY ADDRESS: _____

CITY: _____ STATE: _____ ZIP: _____

MODEL: _____

SERIAL NUMBER: _____

DATE PURCHASED: _____

DEALER NAME: _____

DATE WARRANTY CARD RETURNED: _____

VIA: _____ WEBSITE _____ MAIL

FORCE UNLIMITED LLC



FORCE UNLIMITED LLC LIMITED WARRANTY

FORCE Unlimited LLC has manufactured or is distributing the Product or Parts to which this warranty is attached. It warrants that the Product or Parts will, under normal conditions of use and service, be free from material defects due to faulty manufacturing for a period of twelve (12) months from the date of delivery to the original user. If any Product or Part does not conform to this warranty, your Dealer will, at its option, repair or replace parts provided, and you will pay all labor costs and costs for materials other than warranty parts. If Product or Part is defective in materials or workmanship, you must promptly notify your Dealer and return to FORCE Unlimited or fax to 319-283-3086 the warranty registration card within 30 days from the date of delivery to original user. The installation of any Part that did not originate from FORCE Unlimited will void this limited warranty in its entirety. In the event of repair or replacement, the warranty period shall not be extended beyond the original warranty period.

If you fail to return the warranty registration card (in parts manual) to FORCE Unlimited within thirty (30) days after the date of delivery, this warranty shall not apply and your remedy for any defects in the Product will be your responsibility.

The above warranty does not cover:

- a. Product that is damaged by abuse, neglect, accident, or modification
- b. Fluids, towing, telephone, travel, loss of vehicle, inconvenience
- c. The product itself if parts are installed on the equipment that did not originate from FORCE Unlimited

The above warranty does not apply under the following conditions:

- a. When Product has been improperly used or installed, modified, or fails because of defects or inefficiency of components not furnished with the Product
- b. When Product is used for purposes for which it was not originally designed or intended, or is used under abnormal operating conditions
- c. When the Dealer or end-user fails to follow FORCE Unlimited instructions regarding the Product

This warranty is extended only to the original user and is not transferable. In the event of a warranty claim, you should promptly notify your Dealer and provide the following:

- a. Model & serial number of the Product
- b. Date of delivery to the original user
- c. Part number of the defective Part
- d. Description of the claim encountered

FORCE Unlimited LLC will bear no other expense including labor and material costs, other than those specified above. Unless modified in writing and signed by both parties, this Limited Warranty is understood to be the complete and exclusive agreement between the parties. No third party has authority to change or modify this warranty in any aspect.

LIMITED WARRANTY

2 YRS

SHELL STRUCTURE, SPINNER FRAME (including inferior welds & cracking)
CONVEYOR GEARBOX (including gears, bearings & seals)

1 YR

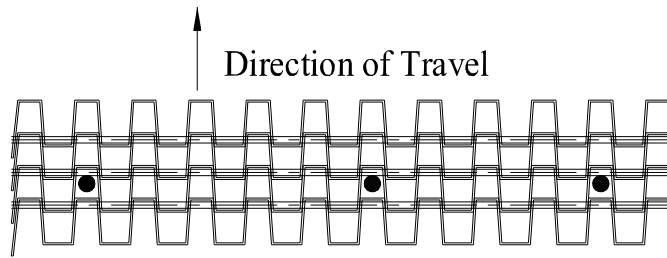
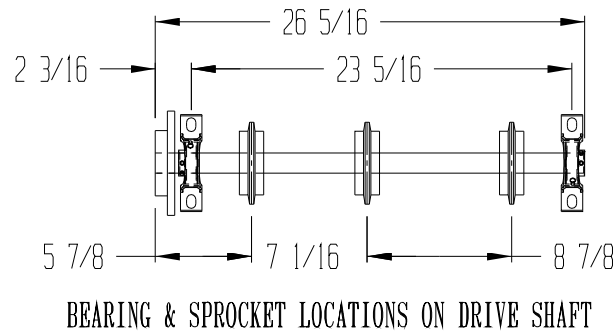
SPINNER MOTORS & ADAPTERS (including bearings & seals)
CONVEYOR MOTORS (including bearings & seals)
VALVE MOTORS & CARTRIDGES
CONVEYOR CHAIN – BELT & FASTENERS
CONVEYOR SPROCKETS & BEARINGS
FAN & CONVEYOR RATE SENSORS

WEAR ITEMS

SPINNER FINS
SPINNER DISCS

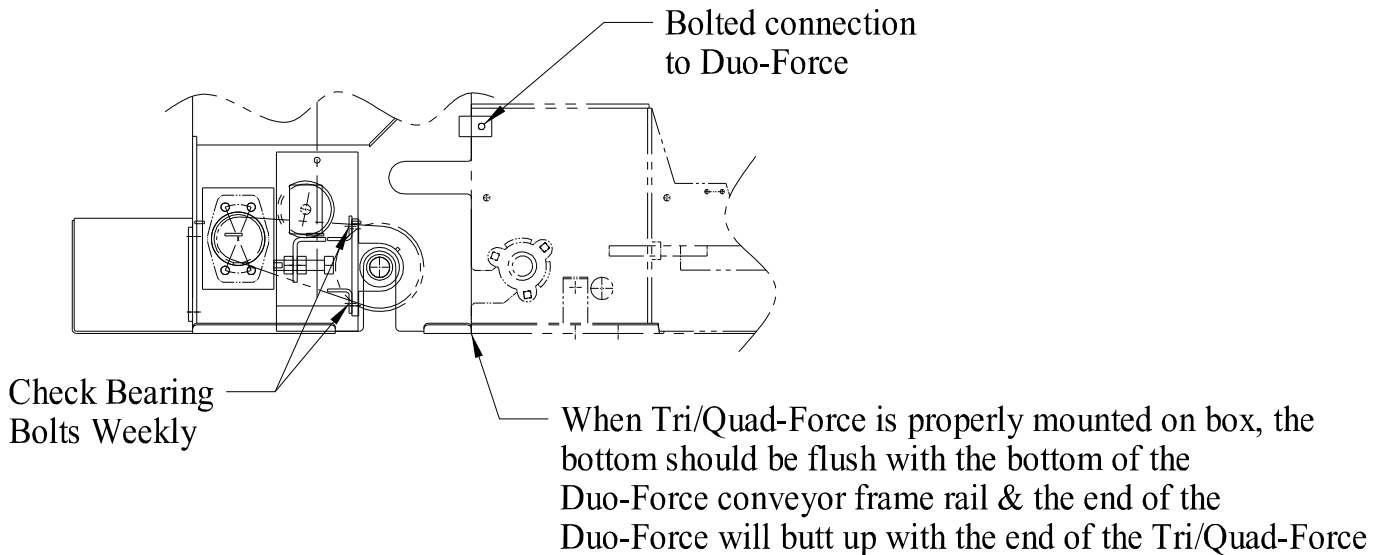
**MANUFACTURER HAS THE RIGHT TO REPLACE DEFECTIVE OR DAMAGED PARTS
WITH NEW OR REBUILT AT ITS OWN DISCRETION**

PARTS DAMAGED FROM ABUSE OR IMPROPER MAINTENANCE NOT COVERED



● = Drive Sprocket Locations

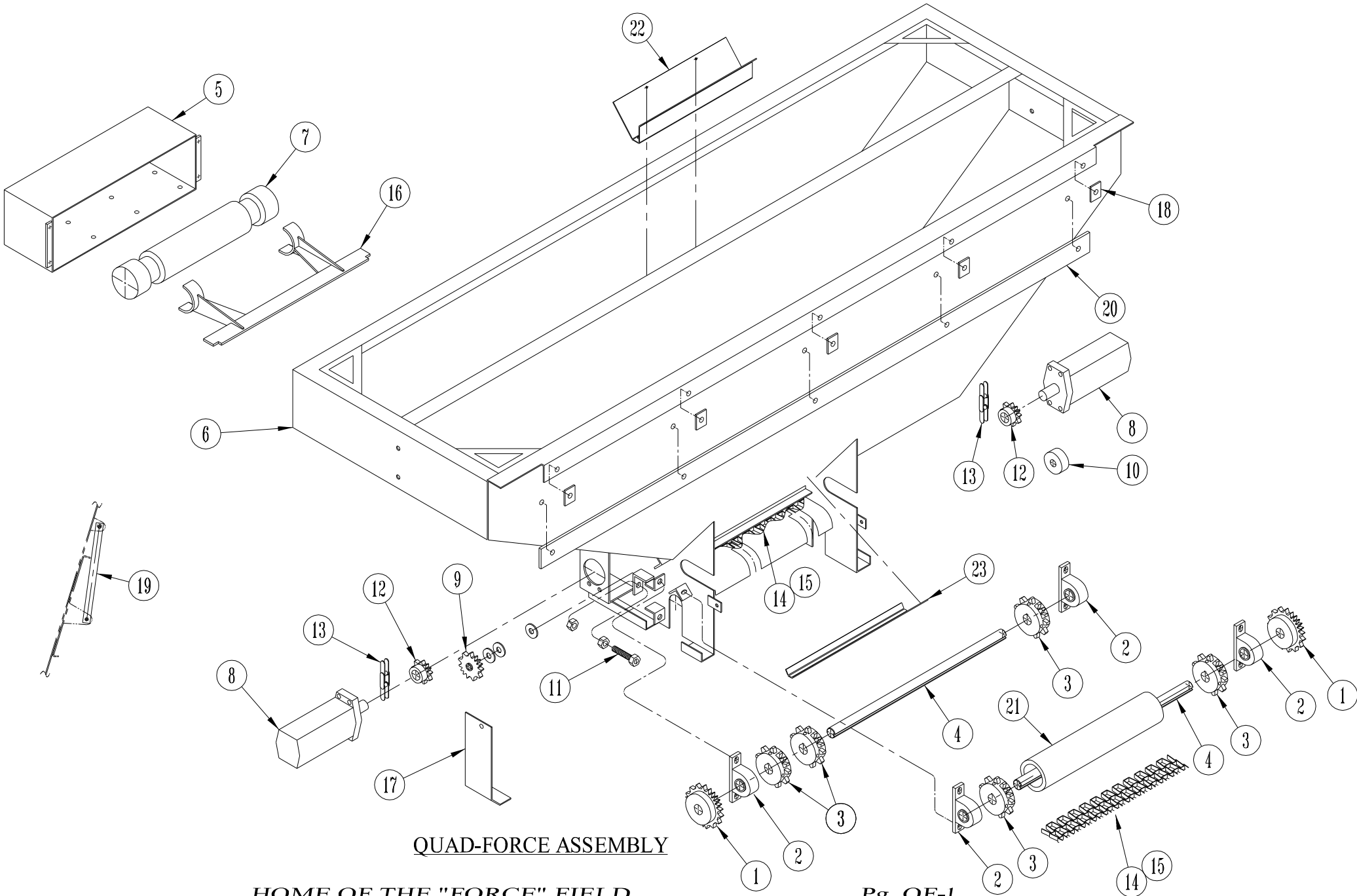
FLAT WIRE BELTING DETAIL
SCALE: 2X



Notes:

- 1) When Flat Wire Belting is properly tightened there should be approximately 1/4" of sag.
- 2) Check tension of 60 series roller chain & flat wire belting daily the first week of operation & weekly thereafter.
- 3) The SPREADER CONSTANT/METER CAL for both the Viper & the Falcon is 700

TRI/QUAD-FORCE INSTRUCTIONS

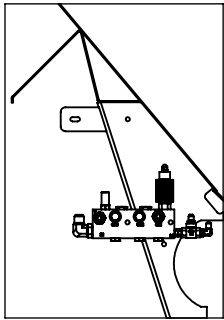
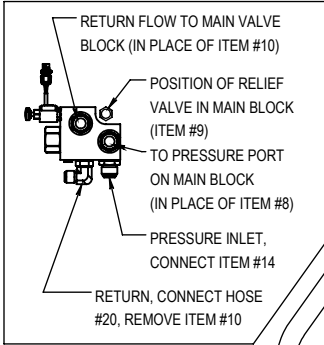


QUAD-FORCE ASSEMBLY

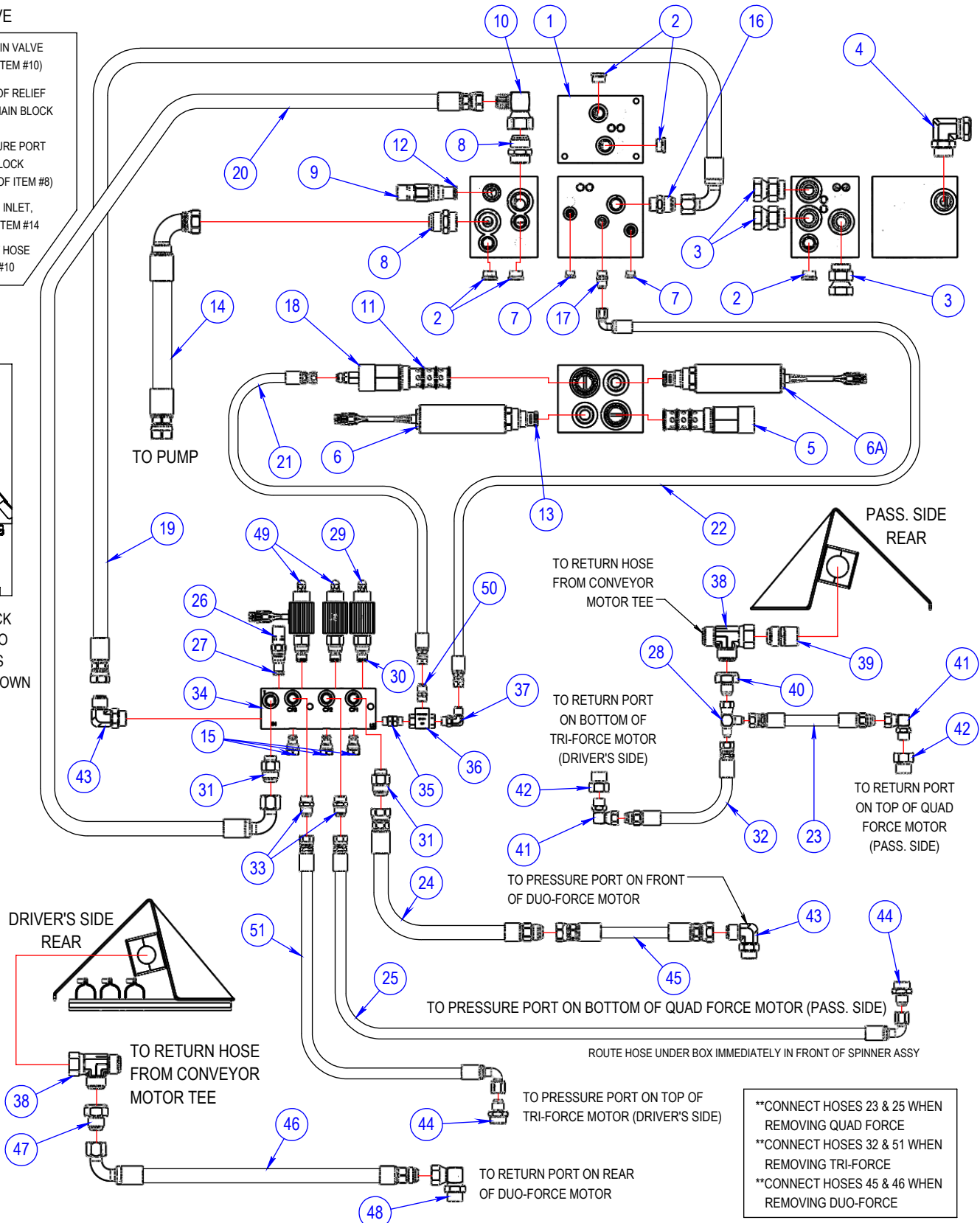
| ITEM | PART NO. | DESCRIPTION | QTY |
|------|--|--|----------|
| 1 | 1217-990 | Sprocket - Drive Requires: (2) 5/16" x 5/16" Lg. Setscrew (1) 1/4" Sq. x 1" Lg. Keystock | 2 |
| 2 | 1217-30 1200-350 1205-36 1209-61 1209-63 | Bearing Requires: (Per Bearing) (2) Setscrew - 5/16"-24, 5/32 Hex (2) Hex Head Capscrew - 1/2" UNC x 1-1/2" S/S (2) Nut - 1/2" UNC S/S (2) Flat Washer - 1/2" S/S (2) Lock Washer - 1/2" S/S | 4 |
| 3 | 1217-45 1220-144 | Sprocket - Flat Wire Belt Requires: (Per Sprocket) (1) 1/4" Sq. x 1 1/2" Lg. Keystock (2) 3/8" x 3/8" Setscrew | 5 |
| 4 | 1233-61 | Shaft - Drive | 2 |
| 5 | 1239-38 1200-202 1209-22 1205-11 | Weldment - Take-Up Cover Requires: (4) Hex Head Capscrew - 1/4" UNC x 1" SS (4) Lock Washer - 1/4" SS (4) Nut - 1/4" UNC SS | 1 |
| 6 | 1239-1045 1200-3011 1209-43 1205-21 | Weldment - Tri-Force Bin Requires: (2) Hex Head Capscrew - 3/8" UNC x 1" SS (2) Lock Washer - 3/8" SS (2) Nut - 3/8" UNC MS | 1 |
| 7 | 1233-4 | Idler - Roller | 1 |
| 8 | 1213-18 1220-144 1200-403 1209-63 1205-36 1213-145 SK | Motor - Hydraulic Requires: (1) 1/4" Sq. x 1-1/2" Lg. Keystock (4) Socket Head Capscrew - 1/2" x 1-1/2" Lg. (4) Lock Washer - 1/2" S/S (4) Nut - 1/2" UNC S/S Seal Kit | 2 |
| 9 | 1217-995 1200-503 1209-70 1205-47 | Sprocket - Idler Requires: (1) Hex Head Cap Screw - 5/8" UNC x 2" M/S (3) Flat Washer - 5/8" M/S (1) Top Lock Nut - 5/8" UNC M/S | 1 |
| 10 | 1240-450 1200-504 1205-47 1209-70 1240-450S | Tightener - Roller Requires: (1) Hex Head Capscrew - 5/8" UNC x 3" MS (1) Lock Nut - 5/8" UNC MS (1) Flat Washer - 5/8" MS (1) Spacer | 1 |
| 11 | 1239-02 1205-51 | Weldment - Take Up Bolt Requires: (Per Bolt) (2) Nut - 5/8" UNC M/S | 2 |
| 12 | 1217-960 | Sprocket | 2 |
| 13 | 1233-60T | Chain - Roller w/connector | 2 |
| 14 | 1233-1 | Beltng - Flat Wire | As Req'd |
| 15 | 1233-2 | Connecting Rod | As Req'd |
| 16 | 1239-39 | Weldment - Idler Bracket | 1 |
| 17 | 1239-150 | Shield - Roller Chain Requires: (1) 1/8" x 1" Cotter Pin | 1 |
| 18 | 1234-942 1205-21 1209-43 1200-3011 | Pinch Plate Requires: (Per Plate) (1) Nut - 3/8" UNC M/S (1) Lock Washer - 3/8" S/S (1) Hex Head Cap Screw - 3/8" UNC x 1" S/S | 5 |
| 19 | 1239-151 1205-21 1209-43 1200-3011 | Feedgate Spacer Bar Requires: (2) Nut - 3/8" UNC M/S (2) Lock Washer - 3/8" S/S (2) Hex Head Cap Screw - 3/8" UNC x 1" S/S | 1 |
| 20 | 1000-37 1200-2490 1209-31 1205-13 | Rubber Backing Requires: (5) Allen Head Cap Screw - 5/16 UNC X 1" S/S (5) Lock Washer - 5/16" M/S (5) Nut - 5/16" UNC M/S | 1 |
| 21 | 1240-46 | Roller - Quad-Force | 1 |
| 22 | 1240-50 1200-105 1209-22 1205-11 | Product 4 of 4 Flow Reducer Requires: (2) Hex Head Capscrew - 1/4" x 3/4" Lg. S/S (2) Lock Washer - 1/4" S/S (2) Nut - 1/4" UNC S/S | 1 |
| 23 | 1240-49 1200-202 1209-22 1205-11 1209-25S | Product 3 of 4 Flow Reducer Requires: (4) Hex Head Capscrew - 1/4" x 1" Lg. S/S (4) Lock Washer - 1/4" S/S (4) Nut - 1/4" UNC S/S (4) Flat Washer - 1/4" S/S | 1 |

AGFORCE W/ DUO-FORCE, TRI-FORCE & QUAD FORCE HYDRAULIC SETUP W/ MULTIBIN VALVE BLOCK

CONNECTIONS FOR UNITS
W/ DUMP VALVE



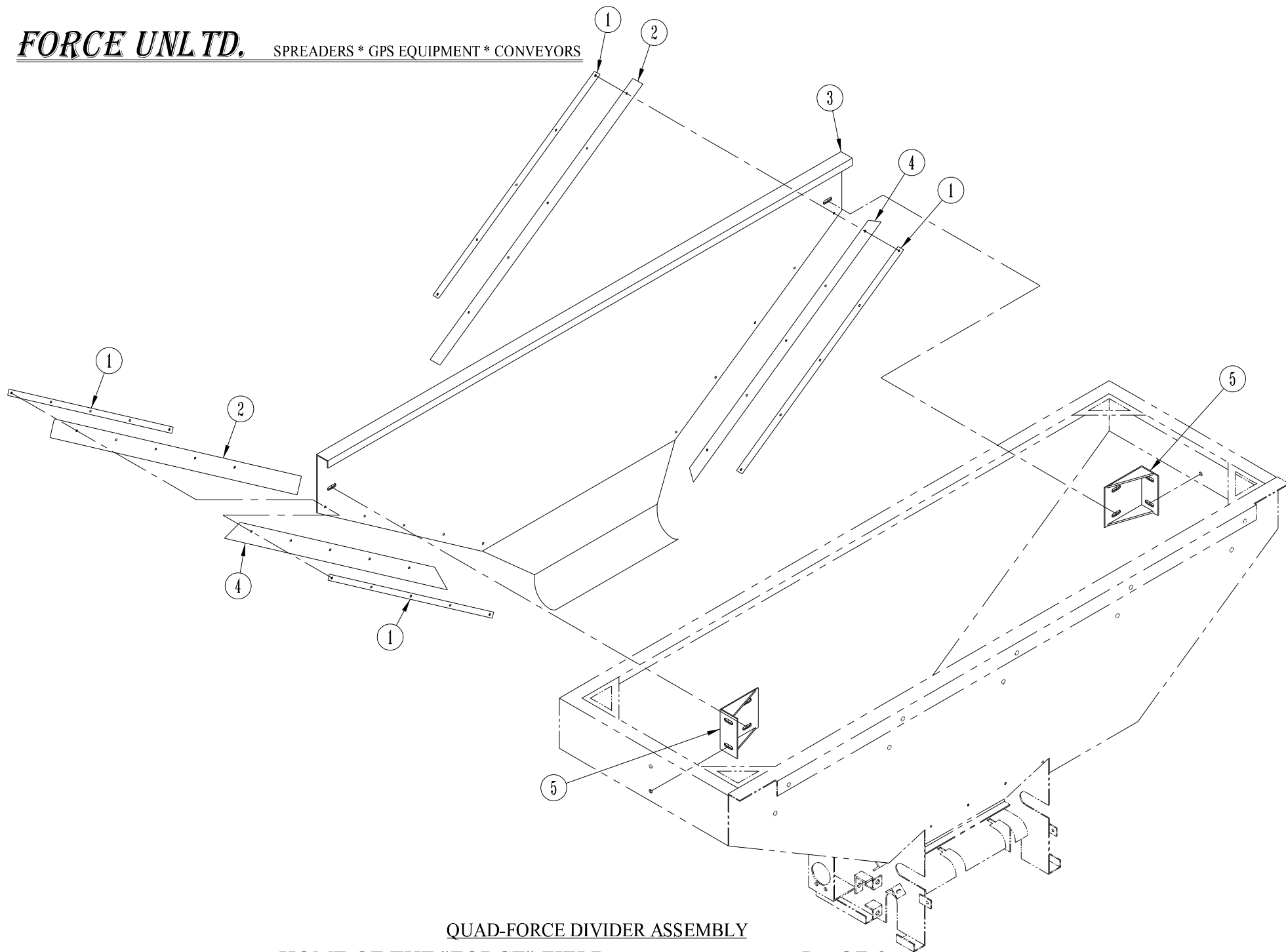
MULTIBIN VALVE BLOCK (ITEM #34) MOUNTS TO THE FRONT DRIVER'S SIDE BOX GUSSET AS SHOWN



**CONNECT HOSES 23 & 25 WHEN REMOVING QUAD FORCE
**CONNECT HOSES 32 & 51 WHEN REMOVING TRI-FORCE
**CONNECT HOSES 45 & 46 WHEN REMOVING DUO-FORCE

DUO-FORCE, TRI-FORCE & QUAD FORCE HYDRAULIC SETUP PARTS KEY

| ITEM | PART NO. | DESCRIPTION | QTY. |
|-------------|-----------------|--------------------------------------|-------------|
| 1 | 1211-00 | Main Valve Block- Hydraulic | 1 |
| 2 | 1202-119 | Plug | 5 |
| 3 | 1202-117 | Adapter- Straight | 3 |
| 4 | 1202-210 | Adapter - Elbow | 1 |
| 5 | 1211-80 | Cartridge- PSI Compensator | 1 |
| 6 | 1211-01A | Valve - Hydraulic Servo | 2 |
| 6A | 1211-011A | Valve – PWM – Conveyor | 2 |
| 7 | 1202-118 | Plug | 2 |
| 8 | 1202-116 | Adapter- Straight | 1 |
| 9 | 1211-945 | Valve - Hydraulic Relief | 1 |
| 10 | 1202-1800 | Adapter - Elbow | 1 |
| 11 | 1211-80K | Seal Kit | As Req'd |
| 12 | 1211-95K | Seal Kit | As Req'd |
| 13 | 1211-01K | Seal Kit | As Req'd |
| 14 | 1207-131 | Hose Assembly | 1 |
| 15 | 1211-0820 | Check Valve | 3 |
| 16 | 1202-109 | Adapter- Straight | 1 |
| 17 | 1211-605 | Check Valve | 1 |
| 18 | 1211-801 | Modified Cartridge - PSI Compensator | 1 |
| 19 | 1207-601 | Hose Assembly | 1 |
| 20 | 1207-602 | Hose Assembly | 1 |
| 21 | 1207-603 | Hose Assembly | 1 |
| 22 | 1207-604 | Hose Assembly | 1 |
| 23 | 1207-605 | Hose Assembly | 1 |
| 24 | 1207-606 | Hose Assembly | 1 |
| 25 | 1207-607 | Hose Assembly (12' Box) | 1 |
| | 1207-608 | Hose Assembly (13' Box) | 1 |
| | 1207-609 | Hose Assembly (14' Box) | 1 |
| 26 | 1211-94 | Valve - Hydraulic Relief | 1 |
| 27 | 1211-94K | Seal Kit | As Req'd |
| 28 | 1202-3014 | Adapter - Tee | 1 |
| 29 | 1211-08A | Proportional Valve | 1 |
| 30 | 1211-08K | Seal Kit | As Req'd |
| 31 | 1202-1090 | Adapter - Straight | 2 |
| 32 | 1207-905 | Hose Assembly | 1 |
| 33 | 1202-1076 | Adapter - Straight | 1 |
| 34 | 1211-001 | Multi-Bin Valve Block - Hydraulic | 1 |
| | | Requires: | |
| | 1200-310 | Hex Head Bolt - 3/8" UNC x 3" MS | 2 |
| | 1209-40 | Flat Washer - 3/8" MS | 6 |
| | 1209-42 | Lock Washer - 3/8" MS | 2 |
| | 1205-21 | Hex Nut - 3/8" UNC MS | 2 |
| 35 | 1202-25 | Adapter- Straight | 1 |
| 36 | 1222-7 | Shuttle Valve - Remove Ball | 1 |



QUAD-FORCE DIVIDER ASSEMBLY

| <u>ITEM</u> | <u>PART NO.</u> | <u>DESCRIPTION</u> | <u>QTY</u> |
|-------------|---|---|------------|
| 1 | 1240-40 1200-202 1205-11 1209-22 | Seal Strip Back Plate Requires: (Per Side) (5) Hex Head Capscrew - 1/4" UNC x 1" SS (5) Nut - 1/4" UNC SS (5) Lock Washer - 1/4" SS | 4 |
| 2 | 1240-41 | Back Seal Strip | 2 |
| 3 | 1240-02 1200-400SS 1209-63 1205-36 | Weldment - Center Quad Divider Requires: (4) Hex Head Capscrew - 1/2" UNC x 1" SS (4) Lock Washer - 1/2" SS (4) Nut - 1/2" UNC SS | 1 |
| 4 | 1240-42 | Front Seal Strip | 2 |
| 5 | 1233-103 1209-61 | Weldment - Divider Bracket Requires: (Per Bracket) (2) Button Head Capscrew - 1/2" UNC x 1" SS (2) Flat Washer - 1/2" SS (2) Lock Nut - Nylon Insert Thin - 1/2" UNC SS | 2 |